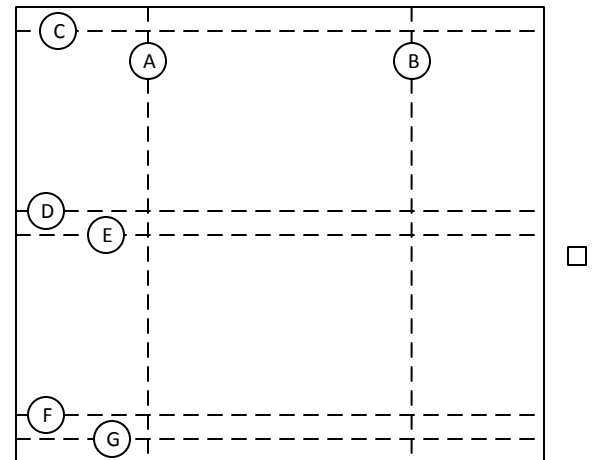
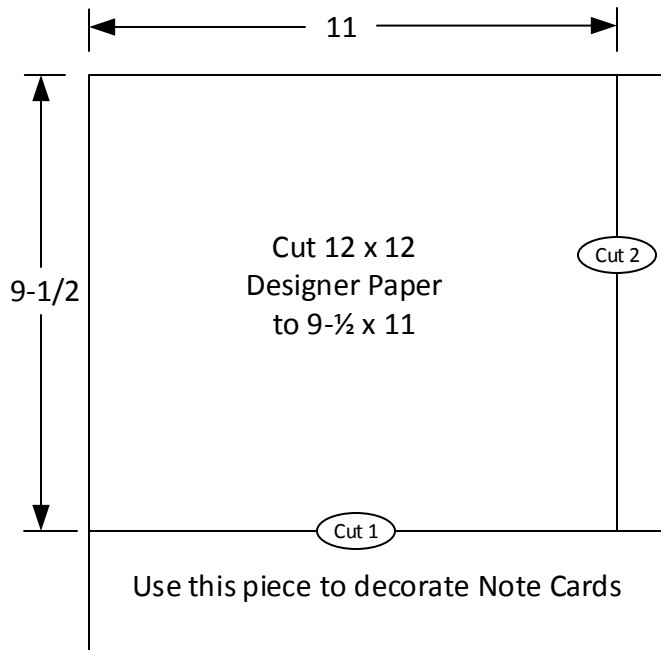


Note Card Holder designed by Terri Gaines



Note Card Holder designed to hold two notecards & envelopes.

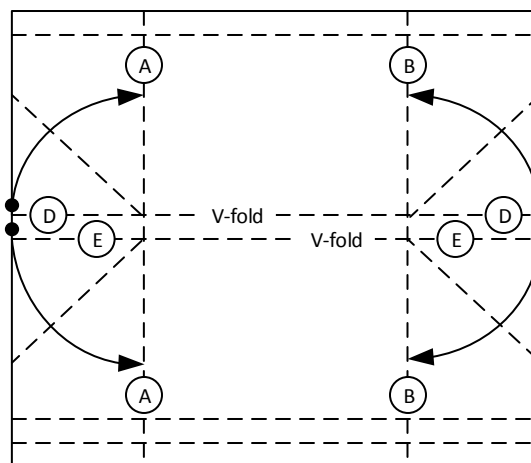
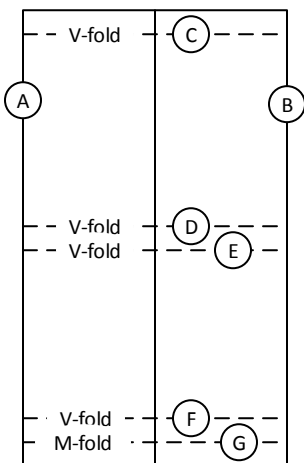
- Use clip to hold Note Card Holder closed
- Decorate front & note cards as desired



Score along 11 inch side at:
2- $\frac{3}{4}$ (A) and 8- $\frac{1}{4}$ (B)



Score along 9- $\frac{1}{2}$ inch side at:
 $\frac{1}{2}$ (C), 4- $\frac{3}{4}$ (D), 5 (E), 8- $\frac{3}{4}$ (F) & 9 (G)

www.CreateWithTerriGaines.com
images©Stampin' Up!



Fold on score lines as follows:

- Valley fold (A) & (B) then
- Valley fold (C), (D), (E) & (F)
- Mountain fold (G)

NOTE: Valley fold = 
Mountain fold = 

Open folds A & B and fold entire line of D & E to valley folds

- Bring left point of line D to score line A to create diagonal mountain fold.
- Bring left point of line E to score line A to create diagonal mountain fold.
- Bring right point of line D to score line B to create diagonal mountain fold.
- Bring right point of line E to score line B to create diagonal mountain fold.
- Shape into holder

For more Creative Ideas visit www.CreateWithTerriGaines.com